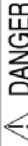


Ground Fault Circuit Breaker

Installation Instructions

1-POLE 120 V~



FAILURE TO FOLLOW THESE INSTRUCTIONS COULD RESULT IN DEATH, PERSONAL INJURY OR PROPERTY DAMAGE.

- To be installed by a qualified electrician only.
- Install ground fault circuit breaker on a single phase 120 V~ grounded power supply system only.
- DANGER: TURN OFF POWER AT THE MAIN BREAKER BEFORE COMMENCING INSTALLATION. FAILURE TO DO SO WILL RISK ELECTRICAL SHOCK AND POSSIBLY DEATH, PERSONAL INJURY OR PROPERTY DAMAGE.**
 - Connect the coiled, WHITE "DIGITAL" WIRE from the ground fault circuit breaker to the panel or enclosure NEUTRAL BUS TERMINAL and secure tightly.
 - Connect the WHITE (neutral) LOAD WIRE to the terminal of the ground fault circuit breaker identified with a WHITE DOT (see illustration on reverse side).
 - Connect the "HOT" LOAD WIRE to the remaining ground fault circuit breaker terminal marked "LOAD".
 - Connect the "HOT LINE" WIRE to the ground fault circuit breaker terminal marked "LINE".
- Apply power to the system, turn handle to the "ON" position.
 - If breaker trips (handle moves to the center tripped position), remove loads from the circuit, one at a time. Try to energize the ground fault circuit breaker each time to see if it will reset and stay "ON". To reset, push the handle to the "OFF" position and then to the "ON" position. When the ground fault circuit breaker can be reset, check the load for a faulty condition. Poor insulation, shorted wires, wet connections, wet conduit, a pinched or bunching neutral lead to a ground metal box and other faults can cause the safety features of the ground fault circuit breaker to open the circuit. Replace or repair the defective condition before using the device.
 - To test the ground fault circuit breaker, pressing the "TEST" button will thoroughly test all ground fault features. The breaker handle will audibly move to the center trip position indicating ground fault protection. Test monthly in accordance with the recommendations of the Underwriters Laboratories, Inc.
 - Give the test reminder cord to the user or place in a conspicuous location and implement a preventative maintenance schedule to remind the user or an electrician to test the ground fault circuit breaker monthly.
 - 30mA ground fault equipment protectors, see table, are not intended for ground fault protection of personnel coming in contact with electrical parts.
- Rockwell Automation maintains current product environmental information on its website at: <http://www.rockwellautomation.com/rockwellautomation/about-us/sustainability-ethics/product-environmental-compliance.page>

DR_1000190452



CAUTION

Do not reverse-feed or back-wire, and do not subject to megger, high voltage or high-pot test. Remove the ground fault circuit breaker before high potting occurs on the circuit or the system. To minimize false tripping, do not connect a CLASS A, 5mA ground fault circuit breaker to swimming pool circuits installed before 1965. Appliances, utilization equipment, electrical ranges and clothes dryers whose frames are grounded by connection to the grounded circuit conductor should not be connected in the load circuit of this device.

5675863HO3

REV. 10

GROUND FAULT CIRCUIT BREAKER INSTALLATION INSTRUCTIONS

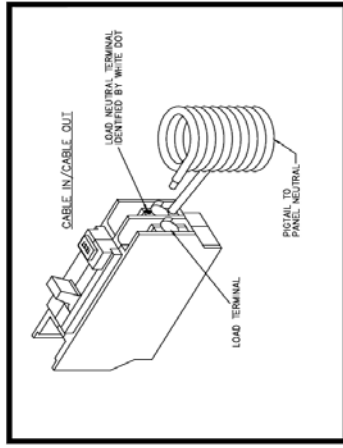
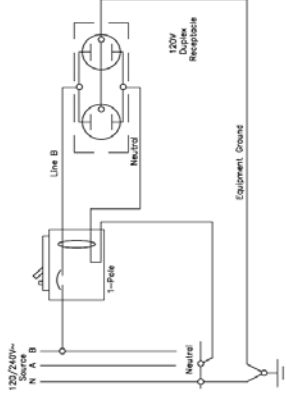


Figure 1
1 Pole



Personnel Protection Protects Humans From Electrical Shock Hazards.
Equipment Protection Protects Equipment From Harmful Leakage Current.

PRODUCT IDENTIFICATION TABLE

TEST	CORRESPONDING	TYPE
BUTTON	GROUND FAULT	OF
COLOR	CALIBRATION	PROTECTION
WHITE	5mA	PERSONNEL
AMBER	30mA	EQUIPMENT