

OLYMPUS[®]

SZX2-LBS
SZX-PHA

INSTRUCTIONS

SZX2^{PHOTOMICROGRAPHY} SYSTEM

This instruction manual is for the Olympus SZX2 Photomicrography System. To ensure the safety, obtain optimum performance and familiarize yourself fully with the use of this equipment, we recommend that you study this manual thoroughly before operating the attachment.
Retain this instruction manual in an easily accessible place near the work desk for future reference.



A X 7 5 0 9

CONTENTS**IMPORTANT**

1,2

SYSTEM CHART FOR PHOTOMICROGRAPHY MODULES

3,4

BEAM SPLITTER SZX2-LBS

5-7

CAMERA ADAPTER SZX-PHA

8,9

IMPORTANT

1 Getting Ready

1. This manual pertains only to the SZX2 photomicrography system. Before using this equipment with the SZX16/SZX10/SZX7 microscope and associated modules, make sure that you have carefully read and understood the corresponding manuals, and understand how to use all components of the microscopic system in combination.
2. The SZX2 photomicrography system is a precision instrument. Handle it with care and avoid subjecting it to sudden or severe impact.
3. Do not use this product anywhere where it may be subjected to direct sunlight, high temperatures and humidity, dust or vibrations.

2 Maintenance and Storage

1. To clean the lenses and other glass components, simply blow dirty away using a commercially available blower and wipe gently using a piece of cleaning paper (or clean gauze).

If a lens is stained with fingerprints or oil smudges, wipe it gauze slightly moistened with commercially available absolute alcohol.

▲ Since the absolute alcohol is highly flammable, it must be handled carefully.

Be sure to keep it away from open flames or potential sources of electrical sparks – for example, electrical equipment that is being switched on or off.

Also remember to always use it only in a well-ventilated room.

2. Do not use organic solvents to clean non-optical components. If smudges are difficult to clean, wipe them with a soft cloth slightly moistened with a diluted neutral detergent.
3. Never disassemble any part of the equipment as this could cause malfunctions or reduced performance.
4. This equipment should be disposed of by following the rules and regulations of your national or local government.

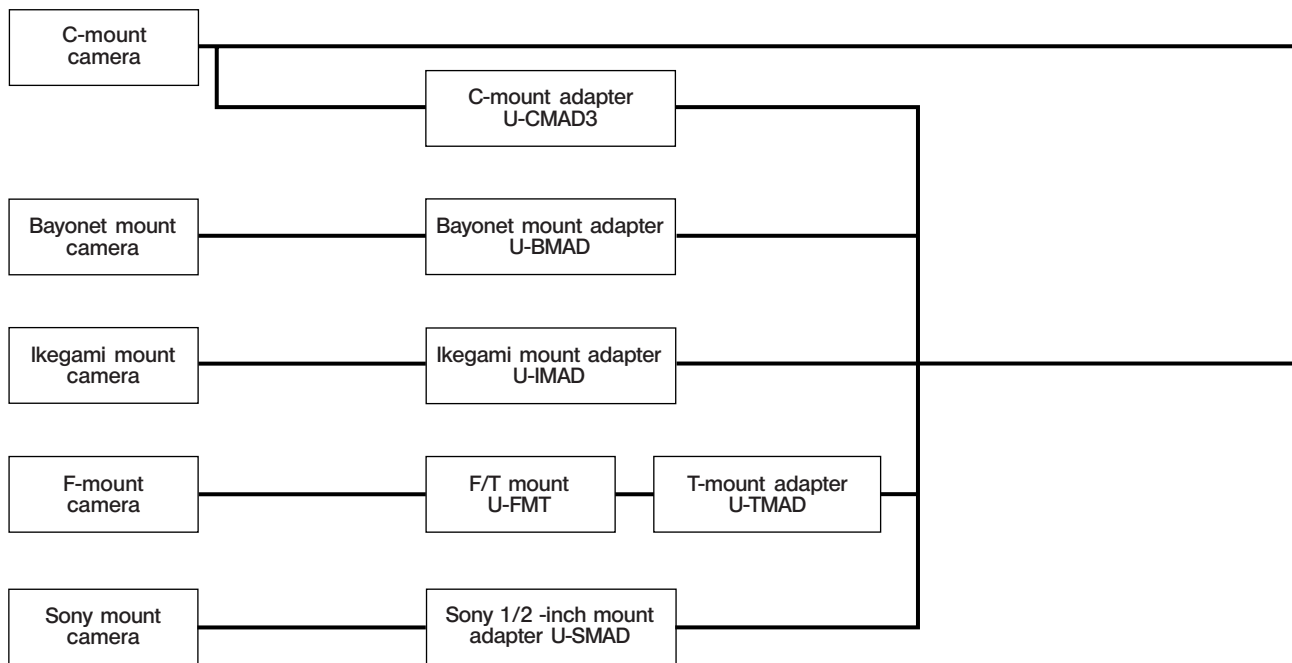
3**Caution**

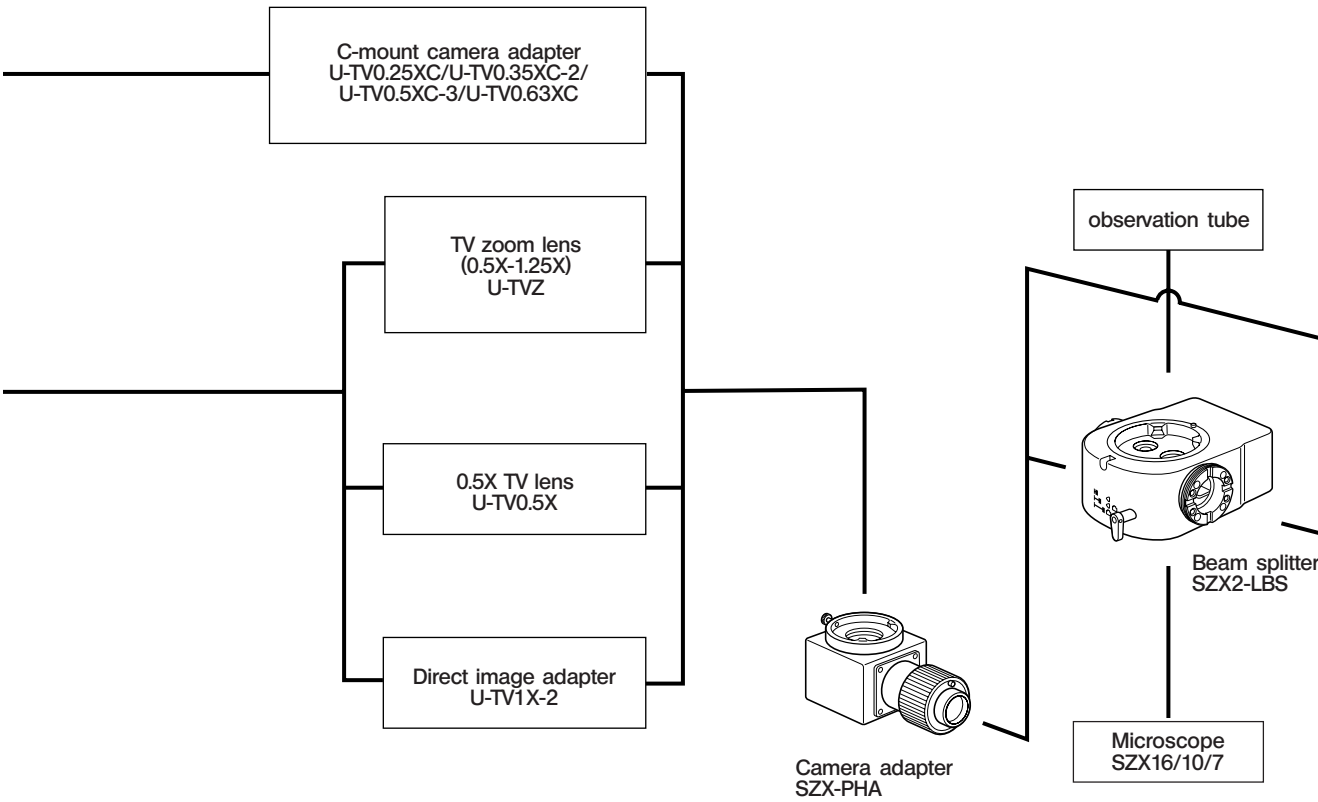
If the equipment is used in a manner not specified by this manual, the safety of the user may be imperiled. In addition, the equipment may also be damaged. Always operate the equipment as outlined in this instruction manual.

The following symbols are used to set off text in this instruction manual.

- ▲ : Indicates that failure to follow the instructions in the warning could result in bodily harm to the user and/or damage to equipment (including objects in the vicinity of the equipment).
- ★ : Indicates that failure to follow the instructions could result in damage to equipment.
- ◎ : Indicates commentary (for ease of operation and maintenance).

SYSTEM CHART FOR PHOTOMICROGRAPHY MODULES








BEAM SPLITTER SZX2-LBS

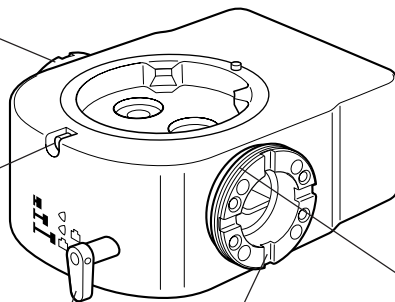
1 Controls

(Same function as the right mount)

Observation tube clamping screw

Light path switch knob

-  : 100% observation path
-  : 50% observation, 50% camera path
-  : 100% camera path



Camera adapter mount thread

The SZX-PHA camera adapter can be mounted.

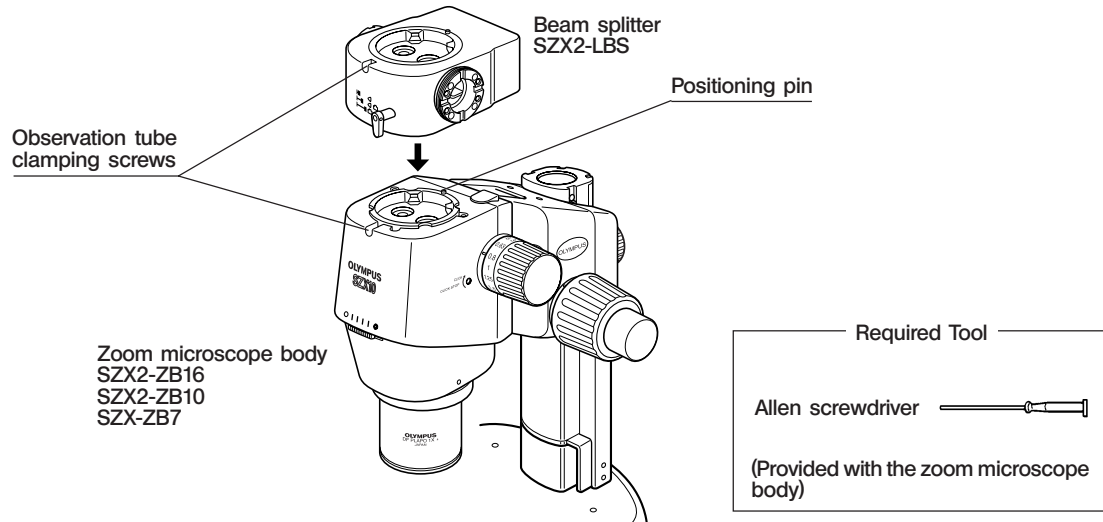
★ When the adapter is not mounted, cap the mount to prevent reverse incident light.

Positioning grooves

(4 grooves at 90° intervals)

2 Assembly




★ When mounting the microscopic system, make sure that all parts are free of dust and dirt and assemble them carefully.



1. Using the Allen screwdriver, loosen the observation tube clamping screw on the zoom microscope body and remove the observation tube.
2. Mount the SZX2-LBS beam splitter on the observation tube mount after removing the observation tube.
- ★ Align the positioning groove on the bottom of the SZX2-LBS with the positioning pin on the zoom microscope body.
3. Mount the observation tube on the SZX2-LBS.
4. Mount the SZX-PHA adapter on the camera adapter system mount.

3 Operation

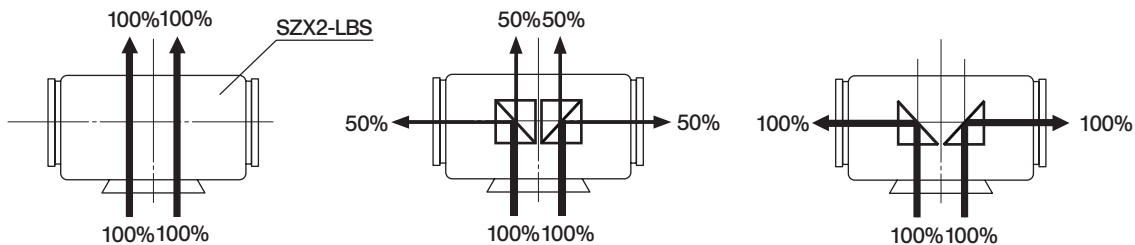
★ To change the light path, gently slide the lever back and forth to one of the click stop positions.

Lever Position	Light Intensity Ratio	
	Observation light path	Camera light path
(A) Pushed in ()	100%	0
(B) Intermediate ()	50%	50%
(C) Pulled out ()	0	100%

(A) Pushed in ()

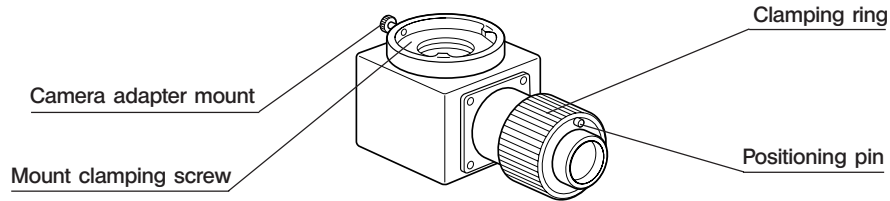
(B) Intermediate ()

(C) Pulled out ()



CAMERA ADAPTER SZX-PHA

1 Controls

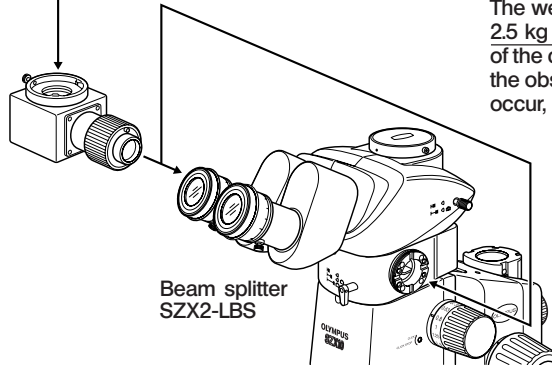


2 Assembly

★ When mounting the microscopic system, make sure that all parts are free of dust and dirt and assemble them carefully.

For details on the TV adapters, see the System Chart on pages 3 & 4.

Camera adapter
SZX-PHA



Beam splitter
SZX2-LBS

CAUTION

The weight of a compatible camera is 2.5 kg or less. Depending on the size of the camera in use, interference with the observation tube and adapter may occur, so be careful.

1. Mount the SZX-PHA camera adapter on the SZX2-LBS beam splitter's left or right mount.
Align the positioning pin on the SZX-PHA with the positioning groove on the SZX2-LBS, fit them and clamp by turning the clamping ring clockwise.
★ The standard mounting orientation is vertical. However, if vertical space is limited (for example, when mounting a TV camera or digital camera), the adapter can be mounted horizontally, provided that safe operation can be ensured.
2. Mount the TV adapter you are going to use.
Refer to the TV adapter's instruction manual for details on mounting procedures.

3 Operation

Adjust the following items by referring to the instruction manual for the TV adapter.

1. Optical adjustments on the microscope (SZX16/10/7's instruction manual)
2. TV/digital camera and monitor adjustments (corresponding instruction manuals)
3. Matching observed and monitored images (TV system's instruction manual)
4. Camera orientation adjustment (TV system's instruction manual)

MEMO

MEMO

OLYMPUS®



OLYMPUS CORPORATION

Shinjuku Monolith, 3-1, Nishi Shinjuku 2-chome, Shinjuku-ku, Tokyo, Japan



OLYMPUS LIFE SCIENCE EUROPA GMBH

Postfach 10 49 08, 20034, Hamburg, Germany

OLYMPUS AMERICA INC.

3500 Corporate Parkway, P.O. Box 610, Center Valley, PA 18034-0610, U.S.A.

OLYMPUS UK LIMITED

Vision House, 19 Colonial Way, Watford, Hertfordshire, WD24 4JL, UK

OLYMPUS SURGICAL & INDUSTRIAL AMERICA INC.

One Corporate Drive, Orangeburg, NY 10962, U.S.A.

OLYMPUS SINGAPORE PTE LTD.

491B River Valley Road, #12-01/04 Valley Point Office Tower, Singapore 248373

OLYMPUS AUSTRALIA PTY. LTD.

31 Gilby Road, Mount Waverley, VIC., 3149, Australia

OLYMPUS LATIN AMERICA, INC.

5301 Blue Lagoon Drive, Suite 290 Miami, FL 33126, U.S.A.

