

ACCESSORIES



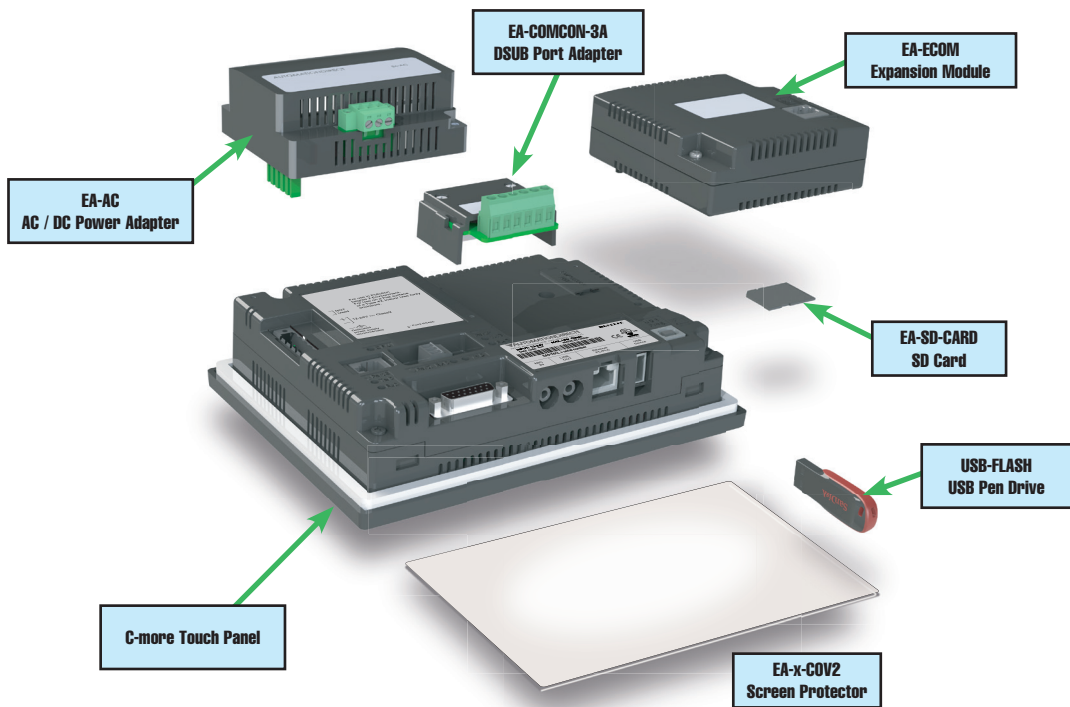
CHAPTER 3

In This Chapter...

Accessories Overview	3-2
AC/DC Power Adapter	3-3
AC/DC Power Adapter Dimensions	3-5
AC/DC Power Adapter Installation.....	3-6
EA-ECOM Ethernet Communication Module	3-7
D-SUB 15-pin to Terminal Block Adapters	3-8
Non-glare Screen Covers	3-9
Clear Screen Overlay Installation	3-10
SD Card	3-11
USB FLASH Drive	3-11

Accessories Overview

3



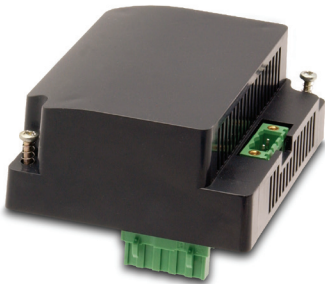
Part Number	Description
EA-AC	AC/DC power adapter, 24 VDC. For use with C-more EA7 and EA9 series touch panels.
EA-6-COV2	Screen protector, non-glare, 6in. Package of 3. For use with C-more and C-more Micro 6in panels.
EA-7-COV2	Screen protector, non-glare, 7in. Package of 3. For use with C-more 7in panels.
EA-8-COV2	Screen protector, non-glare, 8in. Package of 3. For use with C-more and C-more Micro 8in panels.
EA-10-COV2	Screen protector, non-glare, 10in. Package of 3. For use with C-more EA9-T10CL and C-more Micro EA3-T10CL HMIs.
EA-10W-COV2	Screen protector, non-glare, 10in. Package of 3. For use with C-more EA9-T10WCL widescreen HMI.
EA-12-COV2	Screen protector, non-glare, 12in. Package of 3. For use with C-more 12in panels.
EA-15-COV2	Screen protector, non-glare, 15in. Package of 3. For use with C-more 15in panels.
EA-SD-CARD	SD memory card, 2GB, industrial.
USB-FLASH	SanDisk USB Flash drive, 32GB.
EA-COMCON-3*	DSUB port adapter, 15-pin male to 6-pole RS-422/485 terminal block, right angle cable entry. For use with C-more Micro EA1 series 4in and 6in HMIs, C-more Micro EA3 series 3in, 4in, and 6in HMIs, C-more EA9 6in and 7in HMIs.
EA-COMCON-3A*	EA-COMCON-3 is low profile and fits EA9-T6CL-R, EA9-T6CL, EA9-T7CL and EA9-T7CL-R EA-COMCON-3A is straight and fits EA-T8CL, EA9-T10CL, EA9-T12CL and EA9-T15CL
*Note: EA-COMCON-3 is low profile and fits EA9-T6CL-R, EA9-T6CL, EA9-T7CL and EA9-T7CL-R EA-COMCON-3A is straight and fits EA-T8CL, EA9-T10CL, EA9-T12CL and EA9-T15CL	

AC/DC Power Adapter

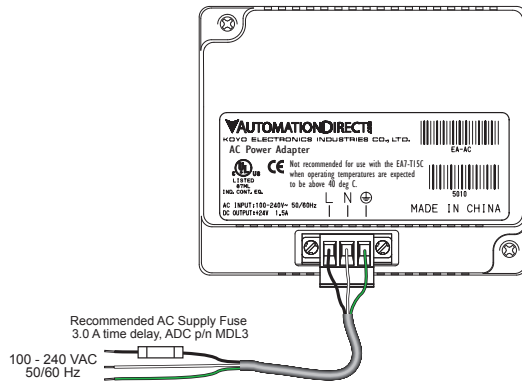
The optional *C-more* AC/DC Power Adapter can be used to power the *C-more* touch panels from a 100-240 VAC, 50/60 Hertz, voltage source. The adapter provides 24 VDC @ 1.5 A to the touch panel's DC power connector and can be conveniently secured to the touch panel with two captive screws. The adapter provides a power loss signal to the touch panel that causes the touch panel to stop writing data to SD memory devices providing a controlled shutdown for increased data logging reliability.

3

Part No. EA-AC



AC/DC Adapter Wiring



Tightening Torque

Power supply cable torque	71 - 85 oz-in (0.5 - 0.6 Nm)
Power connector mounting torque	71 - 85 oz-in (0.5 - 0.6 Nm)
Mounting flange screw torque	57 - 71 oz-in (0.4 - 0.5 Nm)



Warning: Use 60 / 75°C copper conductors only.

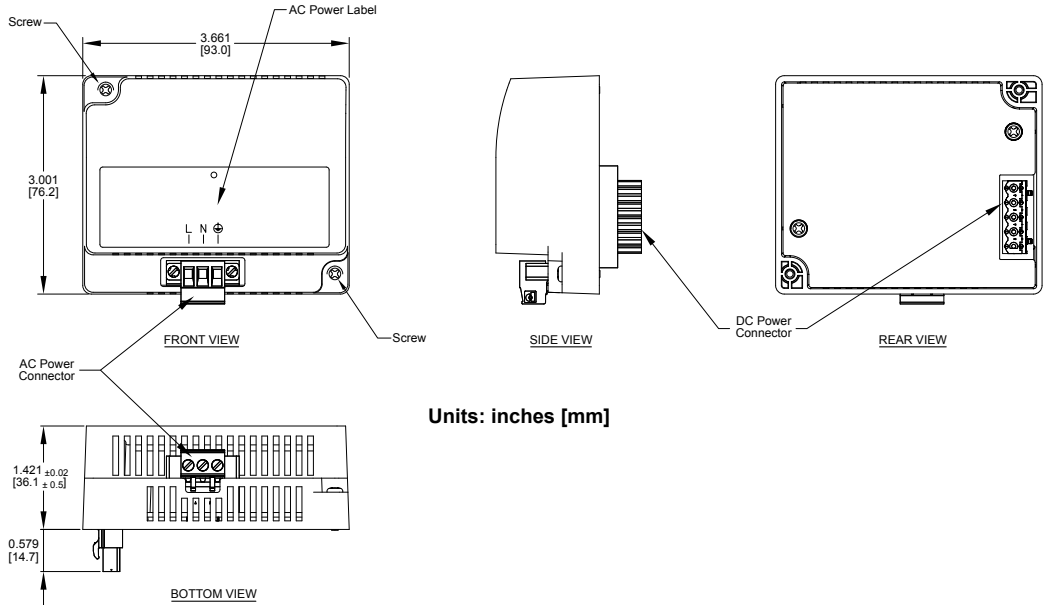
AC/DC Power Adapter Specifications	
Part Number	EA-AC
Input Voltage & frequency	100-240 VAC; 50/60 Hertz
Operating Temperature Range	0 °C to 50 °C [32 to 122 °F] Maximum surrounding temperature rating, 50 °C
Storage Temperature Range	-20 to 60 °C [-4 to 140 °F]
Operating & Storage Humidity	10-85% RH (non-condensing)
Noise Immunity	1000 VAC p-p (Pulse width 1 μ s, rise time: 1 ns) With proper ground connection on AC terminal block.
Hi-pot	1000 VAC, 1 minute With proper ground connection on AC terminal block.
Insulation Resistance	500 VDC, 10 M ohm or above With proper ground connection on AC terminal block.
Vibration	Compliant with IEC61131-2
Shock	Pulse shape: Sine half wave, Peak acceleration: 147 m/s ² (15 G), X, Y, Z: 3 directions, 2 times each
Thermal Protection	140 °C [284 °F], with autorecovery
Short Circuit Protection	85 VAC: 2.6 A, 100 VAC: 2.8 A, 264 VAC: 3.9 A
Static Electricity Discharge Resistance	Compliant with IEC61000-4-2, Contact: 4 kV, Air: 8 kV
Agency Approvals	UL508, UL Recognized, cUL, CE, EMC EN61132-2
Environment	For use in pollution degree 2 environment
Grounding	Ground resistance: less than 100 ohm
Weight	6.13 oz. [175 g]
Removable AC Power Connector	EA-AC-CON or DECA Switchlab MC101-508-03G Secure with (2) captive M2.5 screws, torque to 70 oz-in [0.5 Nm]
Output Current	Maximum 1.5 A
Inrush Current	For 100 VAC: 15 A, 3 ms or less For 240 VAC: 20 A, 3 ms or less
Recommended AC Supply Fuse	3.0 A time delay, ADC p/n MDL3
Power Supply Cable Torque	71 - 85 oz-in (0.5 - 0.6 Nm)
Mounting to Touch Panel	Secure with (2) spring loaded captive M3-20 screws, torque to 50 oz-in [0.35 Nm]



NOTE: Logic within the EA-AC will turn off the backlight instantly when a power failure is detected to allow the CPU to run longer. The backlight turns on automatically when the power returns to the **C-more** operating voltage.

AC/DC Power Adapter Dimensions

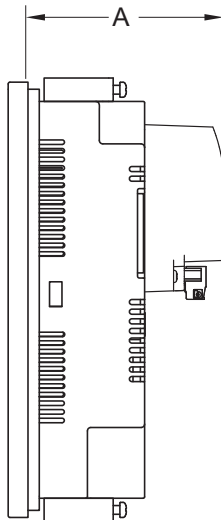
Dimensions



Units: inches [mm]

Panel Depth with AC/DC Power Adapter Installed

Units: inches[mm]



Part Number	A
EA9-T6CL-R	2.991 [76.0]
EA9-T6CL	2.991 [76.0]
EA9-T7CL-R	2.991 [76.0]
EA9-T7CL	2.991 [76.0]
EA9-T8CL	3.511 [89.2]
EA9-T10CL	3.511 [89.2]
EA9-T10WCL	3.511 [89.2]
EA9-T12CL	3.351 [85.8]
EA9-T15CL-R	3.351 [85.1]
EA9-T15CL	3.351 [85.1]

AC/DC Power Adapter Installation



WARNING: This procedure should only be performed by qualified personnel who are experienced in working with electronic equipment. Take the necessary steps to prevent damage that may be caused by static electricity discharge. Disconnect input power to the touch panel before proceeding.

3

1



Preparation: Place the touch panel face down on a lint-free soft surface to prevent scratching the display screen if not already installed in a control cabinet. Remove the DC power connector if it is installed.

2



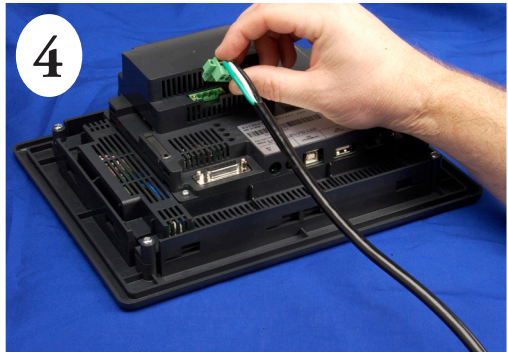
Insert the AC/DC power adapter into the touch panel's 5-position DC power connector.

3



Secure the AC/DC Power Adapter to the touch panel by tightening the two (2) spring loaded captive M3-20 screws to a torque of 50 oz-in [0.35 Nm].

4



Plug the wired 3-pin AC Power Connector into its mating connector on the adapter and secure in place by tightening the two (2) captive M2.5 screws to a torque of 70 oz-in [0.5 Nm].

EA-ECOM Ethernet Communication Module

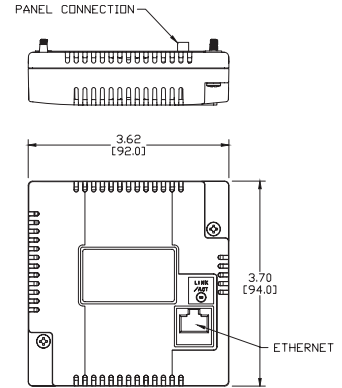
The EA-ECOM Ethernet Communication module plugs into the expansion port on the rear of the EA3 series 6, 8, and 10-inch *C-more* Micro panels to allow Ethernet communications for programming and PLC communications at a speed of 10/100 Mbps.

EA-ECOM



PLC Drivers
AutomationDirect Productivity Series Ethernet
AutomationDirect Do-more / BRX Ethernet
AutomationDirect CLICK Ethernet
AutomationDirect ECOM Ethernet
Modbus TCP/IP
Allen-Bradley EtherNet/IP (Client) SLC5/05
Allen-Bradley EtherNet/IP (Client) ENI Adapter
Allen-Bradley EtherNet/IP (Client) MicroLogix 1100/1400
Allen-Bradley EtherNet/IP (Client) control/CompactLogix (SLC Mapping only)

Dimensions: Inches [mm]



3



Link Status LED (Green)	
On	Ethernet Linked
Off	No Ethernet Comm.
Blinking Green	Comm. Activity



EA-ECOM Specifications	
Part Number	EA-ECOM
Operating Temperature	0 to 50 °C (32 to 122 °F) Maximum surrounding air temperature rating: 50 °C
Storage Temperature	-20 to +60 °C (-4 to +140 °F)
Humidity	5-95% RH (non-condensing)
Environmental Air	For use in pollution degree 2 environment
Vibration	IEC60068-2-6 (Test Fc), 5-9 Hz: 3.5 mm amplitude, 9-150 Hz: 1.0G, sweeping, at a rate of 1 octave/min. (±10%), 10 sweep cycles per axis on each of 3 mutually perpendicular axes
Shock	IEC60068-2-27 (Test Ea), 15 G peak, 11ms duration, three shocks in each direction per axis, on 3 mutually perpendicular axes (total of 18 shocks)
Noise Immunity	NEMA ICS3-304 RFI, (145 MHz, 440 MHz 10 W @ 10 cm) Impulse 1000 V @ 1 µs pulse
Emission	EN55011 Class A (Radiated RF emission)
Enclosure (panel door installation)	NEMA 250 type 4/4X indoor use only UL50 type 4X indoor use only IP-65 indoor use only (When mounted correctly)
Agency Approvals	CE (EN61131-2), UL508, CUL Canadian C22.2 To obtain the most current agency approval information, see the Agency Approval Checklist section on the specific part number's web page
Mounting Torque	50 oz-in [0.35 N·m]
Weight	0.23 lb [105g]
Ethernet Specification	Conforms to IEEE802.3
Communication Speed	10/100 Base-T (Automatic Negotiation)
Cable Specification	Category 5
Auto MDI / MDI-X	Yes
Connector Type	RJ45

D-SUB 15-pin to Terminal Block Adapters

These adapters are plugged into the 15-pin serial port on the rear of the panels to allow wire terminal connections for RS-422/485 PLC communication cable. The wiring of both adapters is the same.

EA-COMCON-3 is used with EA9-T6CL-R, EA9-T6CL, EA9-T7CL-R and EA9-T7CL. EA-COMCON-3 is UL Recognized.

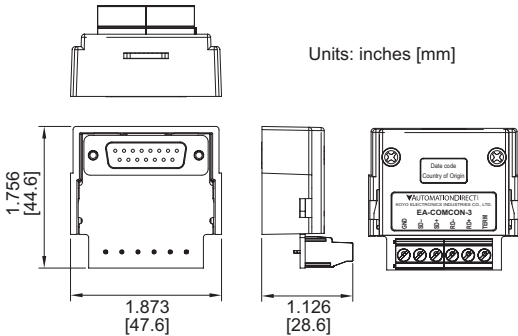
EA-COMCON-3A is NOT UL Recognized or Listed. It is used with EA9-T8CL, EA9-T10CL, EA9-T12CL, EA9-T15CL-R and EA9-T15CL

EA-COMCON-3

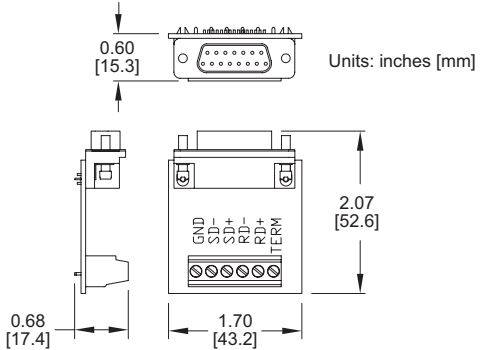
EA-COMCON-3A



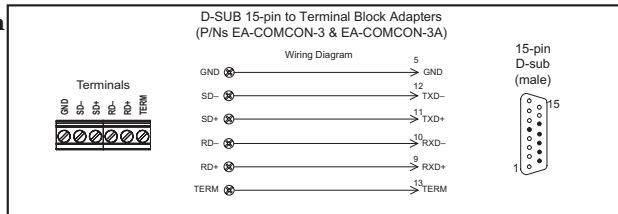
Dimensions



Dimensions



Wiring Diagram

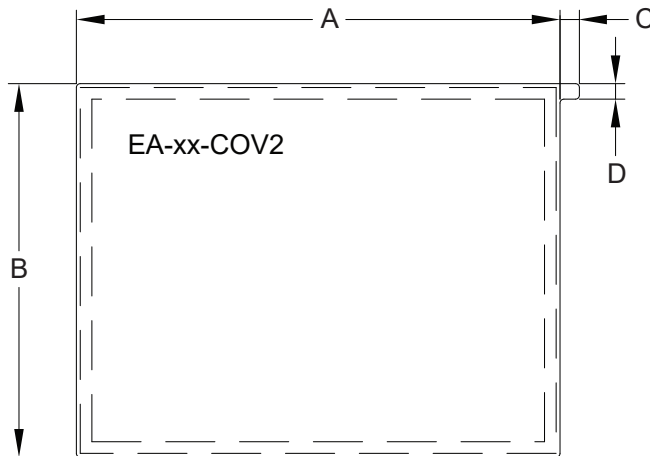
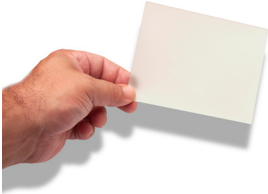


Non-glare Screen Covers

Non -glare PET screen covers are protective overlays used to protect the touch screen and help reduce glare from external light sources. (pk of 3)

Part No. EA-6-COV2, EA-7-COV2, EA-8-COV2, EA-10-COV2, EA-10W-COV2, EA-12-COV2 & EA-15-COV2

3



Non-glare Screen Covers Dimensions - inches [mm]				
Part Number	A	B	C	D
EA-6-COV2	4.91 [124.8]	3.80 [96.4]	0.197 [5.0]	0.157 [4.0]
EA-7-COV2	6.40 [162.6]	4.00 [101.5]		
EA-8-COV2	7.32 [185.8]	5.44 [138.2]		
EA-10-COV2	8.91 [226.2]	6.61 [168.0]		
EA-10W-COV2	9.23 [234.5]	5.38 [136.7]		
EA-12-COV2	10.26 [260.6]	7.64 [194.1]		
EA-15-COV2	12.56 [319.1]	9.37 [238.1]		

Non-glare Screen Covers (cont'd)

Clear Screen Overlay Installation

Step 1

3



Check to be sure that the proper size non-glare screen cover is being used on the subject touch panel. Notice that the outer perimeter of the screen cover has an adhesive band. The adhesive band will be located on the outside edge of the touch panel's white frame bordering the touch area when installed.

Step 2



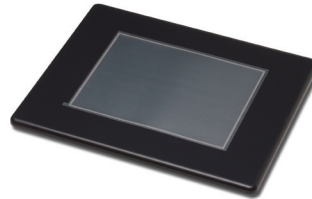
Start in one corner and peel the screen cover from the backing.

Step 3



Align the screen cover over the touch panel's white frame, then start on one side and gently lay the cover over the entire touch area.

Step 4



Smooth out the screen cover and press all around the outside perimeter to secure the cover in place. The screen cover can be removed by lifting up on the small tab and gently pulling the cover away from the touch panel's surface.

Step 5



Remove the protective sheet.



NOTE: The protective cover ships with a thin protective sheet on the face of the cover that needs to be carefully removed. If your panel is not clear, the protective sheet may not have been removed.

SD Card

SD memory card for non-volatile storage, 2GB industrial grade. 85° C maximum operating temperature makes it suitable for data logging in industrial applications. Recommended for **C-more** EA9 series. The EA-SD-CARD utilizes SLC technology so it is the fastest option for writing and storing data. If logged data is saved to external memory, AutomationDirect recommends using an EA-SD-CARD.

EA-SD-CARD



NOTE: SLC Flash memory utilized by EA-SD-CARD has the advantage of being the most accurate flash memory type when reading and writing data. SLC flash has the longest lifespan of flash types and can operate in a broader temperature range than other types.

EA-SD-CARD with SLC Flash memory is recommended for industrial workloads that require heavy read/write cycles.

USB FLASH Drive

USB-FLASH sold by AutomationDirect has been tested with **C-more** HMIs and is Hi-Speed USB 2.0 certified. The EA-SD-CARD is the best option for logging data, but the USB-FLASH is a high quality flash drive perfect for transferring log files, capturing screens, backing up and restoring projects and storing images for the Image Viewer object.

USB-FLASH



